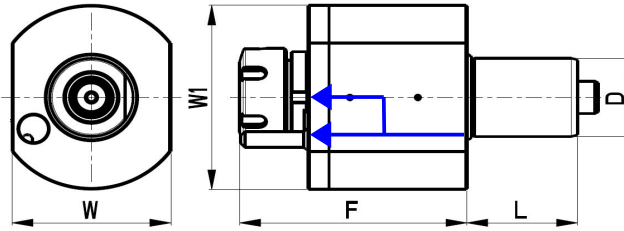


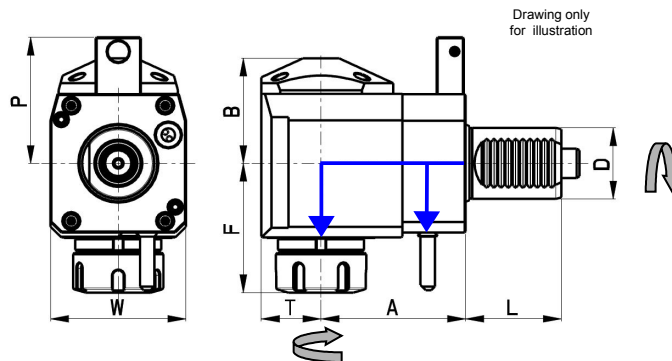
DIN 5482



Code
Click below to see more

Code	D	Toolgrip	Internal Cooling	F	L	W	W1
NGT1-30/111-25/1	30	ER25	no	87	45	62	69
NGT1-30/111-25/2	30	ER25	yes	87	45	62	69
NGT1-40/111-25/1	40	ER25	no	105	53	76	94
NGT1-40/111-25/2	40	ER25	yes	105	53	76	94
NGT1-40/111-32/1	40	ER32	no	108	53	76	94
NGT1-40/111-32/2	40	ER32	yes	108	53	76	94

DIN 5482



Code
Click below to see more

Code	D	Toolgrip	Internal Cooling	Direction	A	B	F	L	P	T	W
NGT1-30/211-25/1.1-55	30	ER25	no	right	55	48	63	45	48	26	64
NGT1-30/211-25/2.1-55	30	ER25	yes	right	55	51	63	45	48	26	64
NGT1-40/211-25/1.1-80	40	ER25	no	right	80	59	70	53	71	33	75
NGT1-40/211-25/2.1-80	40	ER25	yes	right	80	62	70	53	71	33	75
NGT1-40/211-32/1.1-80	40	ER32	no	right	80	59	74	53	71	33	75
NGT1-40/211-32/2.1-80	40	ER32	yes	right	80	62	74	53	71	33	75