

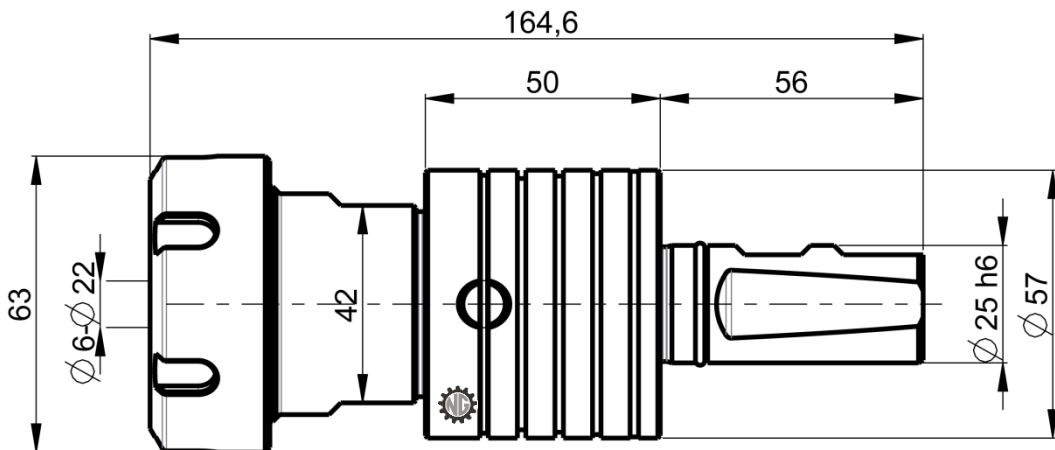


# SYNCHRO TAPPING HOLDER

Ø25

DIN 1835 B+E

Product code:  
**NGT ST3-25x40**



**Collet:** ER40

**Cooling:** internal

**Max. pressure:** 50 bar

## Accessories

**Nut :** Hook spanner type E 40

**Spindle:** Spanner 42

