

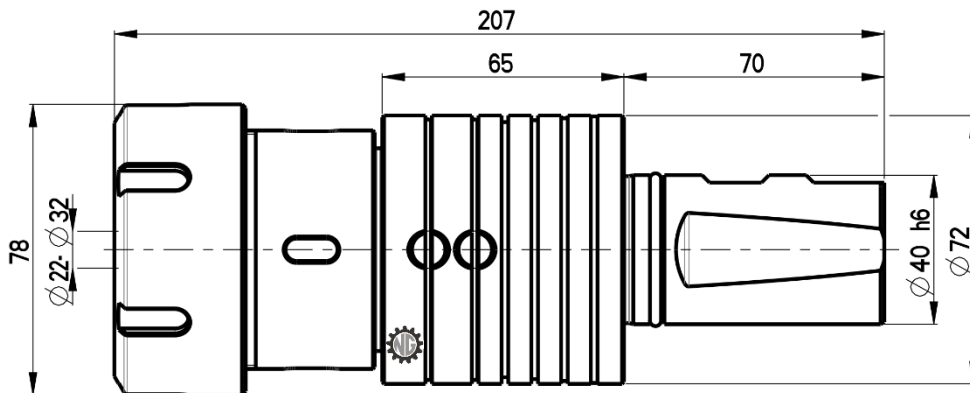
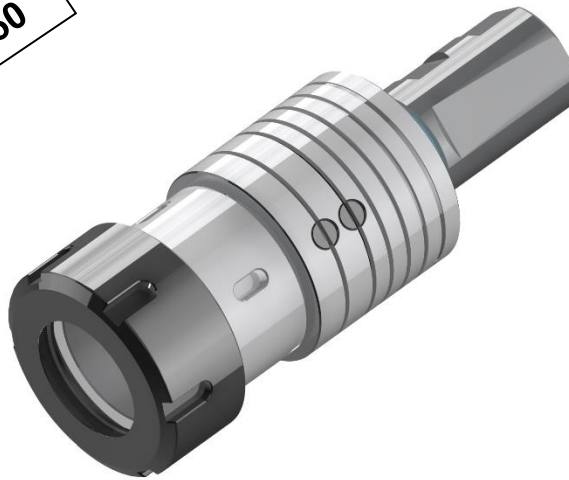


SYNCHRO TAPPING HOLDER

Ø40

DIN 1835 B+E

Product code:
NGT ST6-40x50



Collet: ER50

Cooling: internal

Max. pressure: 50 bar

Accessories

Nut : Hook spanner type E 50



Spindle: Hook wrench DIN 1810A 58-62

